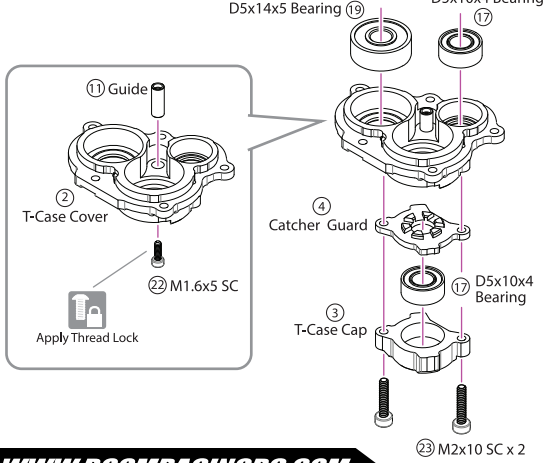


DIG Transfer Case (#BRLC70101-DIG / #BRX020102-DIG)

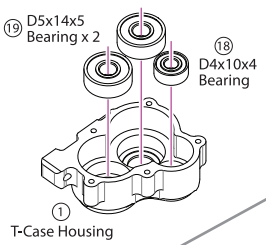
Instruction Manual



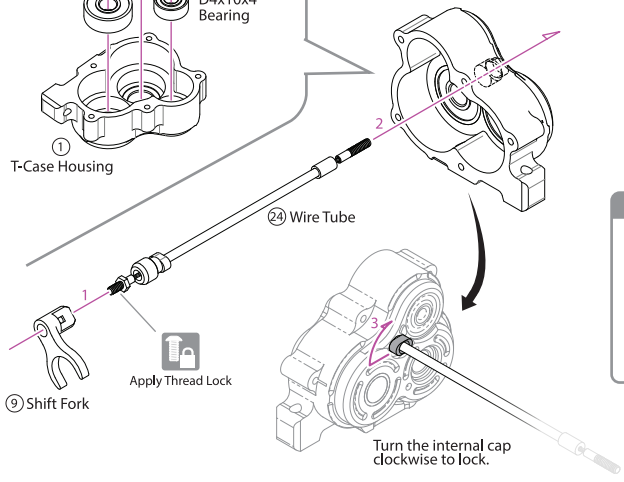
Step - 1) T-Case Cover



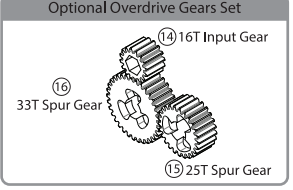
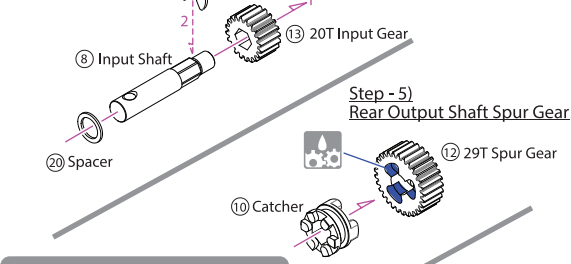
Step - 2) T-Case Housing



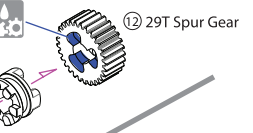
Step - 3) Wire Tube



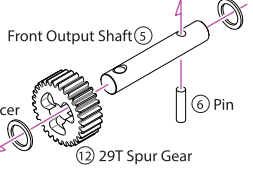
Step - 4) Input Shaft



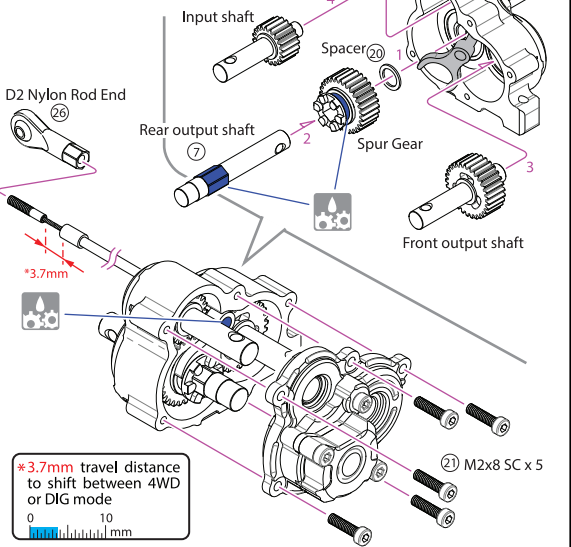
Step - 5) Rear Output Shaft Spur Gear



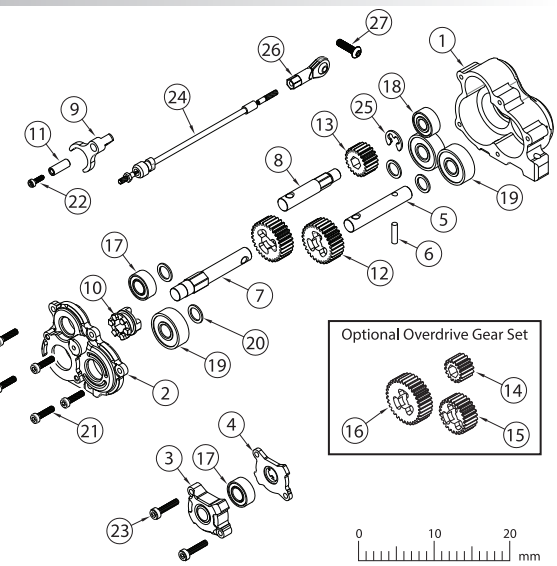
Step - 6) Front Output Shaft



Step - 7) Assembly



DIG Transfer Case



| Parts Included: | Qty. | Parts Included: | Qty. |
|---------------------------------|------|-------------------------|------|
| (1) T-Case Housing | 1 | (17) D5x10x4 Bearing | 2 |
| (2) T-Case Cover | 1 | #BBZMR1052RS | |
| (3) T-Case Cap | 1 | (18) D4x10x4 Bearing | 1 |
| (4) Catcher Guard | 1 | #BBZMR1042RS | |
| #BRLC70102-DIG-A | | (19) D5x14x5 Bearing | 3 |
| (5) Front Output Shaft | 1 | #BBZ6052RS | |
| (6) D2x8 Pin | 1 | (20) D5x7x0.5 Spacer | 4 |
| (7) Rear Output Shaft | 1 | #BRASSPD5705 | |
| (8) Input Shaft | 1 | (21) M2x8 SC Screw | 5 |
| #BRLC70103-DIG-B | | #BRASCH2008 | |
| (9) Shift Fork | 1 | (22) M1.6x5 SC Screw | 1 |
| (10) Catcher | 1 | #BRASCH1605 | |
| (11) Guide | 1 | (23) M2x10 SC Screw | 2 |
| #BRLC70104-DIG-C | | #BRASCH2010 | |
| (12) 29T Spur Gear | 2 | (24) Wire Tube | 1 |
| (13) 20T Input Gear | 1 | #BRLC70306 / #BRX020104 | |
| #BRLC70105-DIG-D | | (25) E-Clip | 1 |
| (14) 16T Input Gear | 1 | #BRASEC30 | |
| (15) 25T Spur Gear | 1 | (26) D2 Nylon Rod End | 1 |
| (16) 33T Spur Gear | 1 | #BRQ90351 | |
| #BRLC70204-ODT-C (Not included) | | (27) M2x7 RS Screw | 1 |
| | | #BRASBH2007 | |

Boom Racing Transfer Case Gear Ratio

| Standard Gear Ratio | | | Over-Drive Gear Ratio | | |
|----------------------------------|-----|----------|----------------------------------|-----|----------|
| Input | 20T | | Input | 16T | |
| Output - Rear | 29T | 1 : 1.45 | Output - Rear | 33T | 1 : 2.06 |
| Output - Front | 29T | 1 : 1.45 | Output - Front | 25T | 1 : 1.56 |
| Rear to Front output speed ratio | | 1 : 1 | Rear to Front output speed ratio | | 1 : 1.32 |

YOUR R/C HOP-UPS SPECIALIST

We love building scale models. Let's be honest. Which badass doesn't love a beautiful looking car? Our focus is on designing the best looking products that really perform; products that withstand beating and still look great enough to be shelf queens. Offering you the latest designs made with the highest possible quality at affordable prices is our absolute focus for all enthusiastic hobbyists.

Since 2012, Boom Racing has been manufacturing extreme performance RC products. We want you to love and enjoy these amazing "scale" and "performance" based products to create your own unique realistic RC builds.

We are never going to stop at giving you the best updates and upgrades on our product lines. That's our passion and our commitment to keep you on your toes with excitement and anticipation for what's to come next.

Enjoy being a BADASS!

DIG Transfer Case
#BRLC70101-DIG / #BRX020102-DIG

Difficulty Level: ★ ★ ★ ☆ ☆



ENJOY BEING A BADASS



#boomracing



www.facebook.com/boomracingrc